

"Mini Max"

Limited Access Drill Unit



MAIN FEATURES

CARRIER:	Track mounted Komatsu
WEIGHT:	38,000lbs.
TORQUE:	24,000 ft lbs.
DEPTH:	42 feet - plus tool length
MAX. DIAMETER:	12" diam. to 36" diam.
MATERIAL:	light to medium difficulty
DOWN PRESSURE:	6,000 pounds
OPTIMAL DIAMETER:	18" to 24"
TOWER HEIGHT:	18 ft.
ACCESS WIDTH:	8 ft.
REACH TO HOLE CTR:	10 ft.
WORK RADIUS:	24 ft. minimum

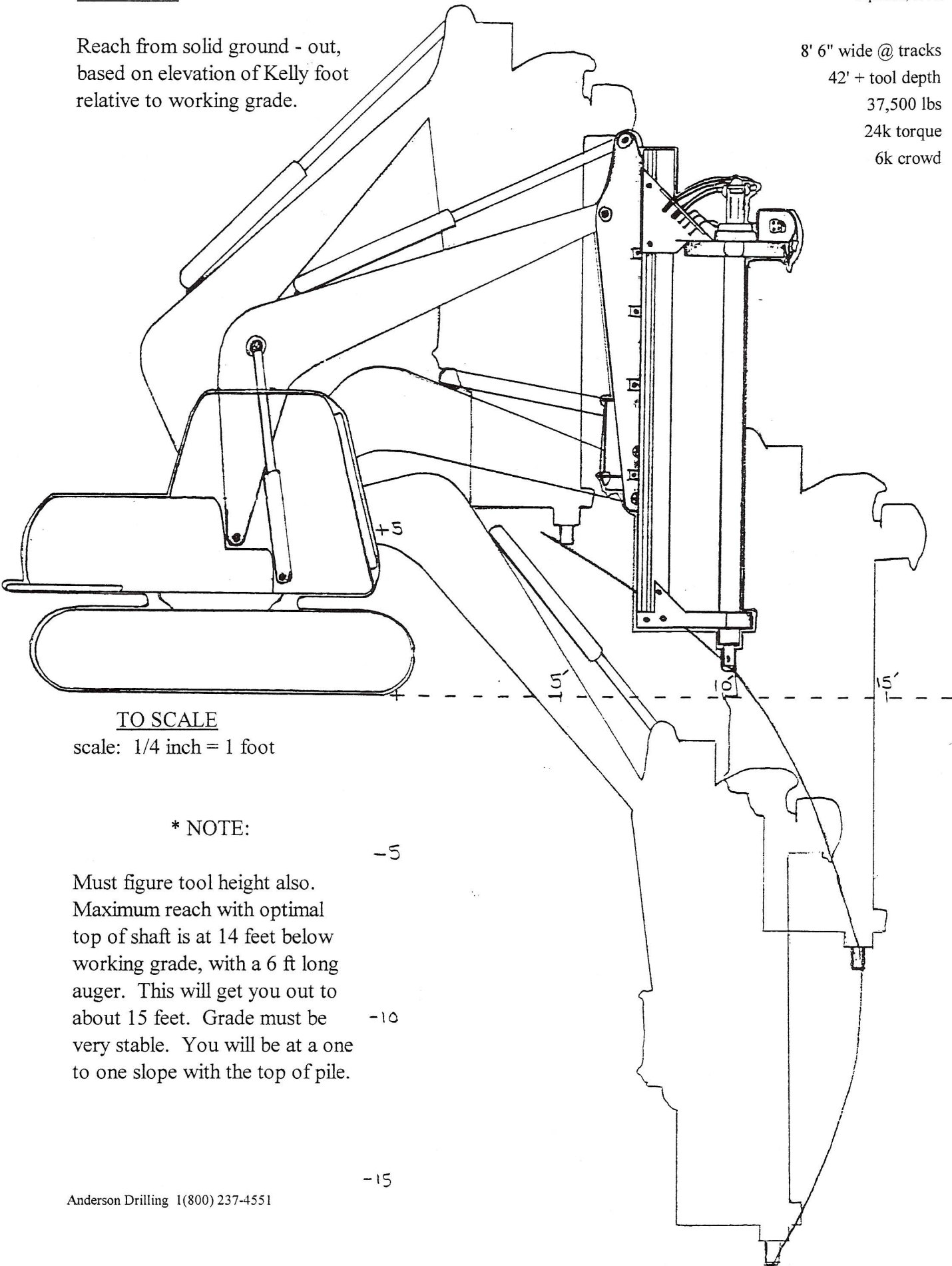


Mini-Max

April 08, 1999.

Reach from solid ground - out,
based on elevation of Kelly foot
relative to working grade.

8' 6" wide @ tracks
42' + tool depth
37,500 lbs
24k torque
6k crowd



TO SCALE

scale: 1/4 inch = 1 foot

* NOTE:

Must figure tool height also.
Maximum reach with optimal
top of shaft is at 14 feet below
working grade, with a 6 ft long
auger. This will get you out to
about 15 feet. Grade must be
very stable. You will be at a one
to one slope with the top of pile.

+5
-5
-10
-15

