

WATSON 2000 / 2500 / 3000 / 3100

Conventional Foundation Drill Rig



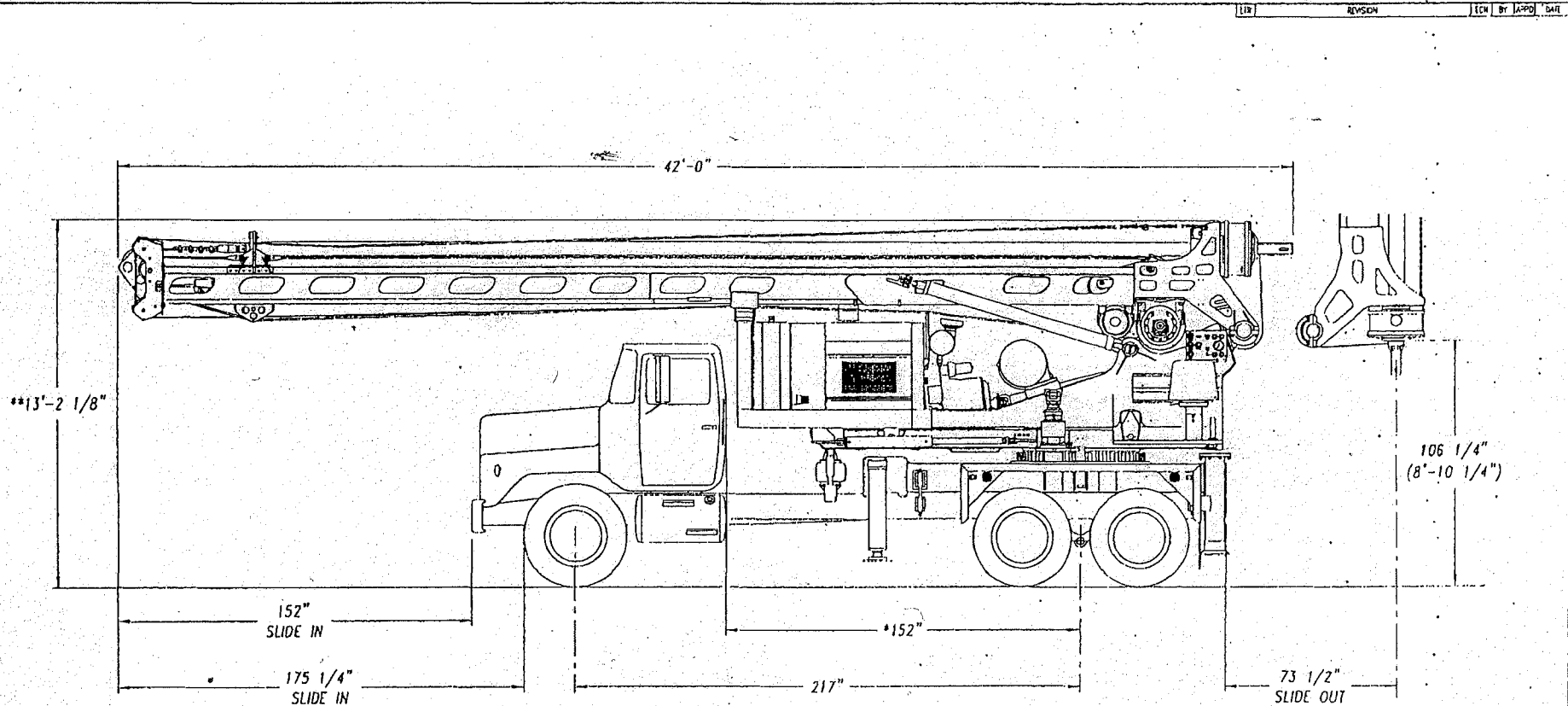
3100 Truck

MAIN FEATURES:

Carrier:	Rubber Tire 4 - Axle
Undercarriage Footprint:	Length - 35 ft. (10.7M) Width 12 ft. (3.66M) (Jacks Extended)
Operating Weight:	47,000 - 94,000 lbs
Torque:	50,000 - 100,000 lbf-ft (68 - 136 kN-m)
Depth:	60 ft. - 100 ft. (18 - 30M)
Max. Diameter:	8 ft. (2.4M)
Optimal Diameter:	12" - 60" (300 mm - 1524 mm)
Material:	All
Crowd Pressure:	24,000 - 50,000 lbf. (107 - 223 kN)
Tower Height:	52 ft - 63 ft (up to 19.2 Meters)
Work Radius:	20 ft. to 22 ft. (minimum)



Watson Model 2100 TM Standard 60' Drill Depth



Front Axle Weight
Travel Position (slide in)
16,600#

Rear Axle Weight
Travel Position (slide in)
37,960#

Total Unit Weight
54,220#
(Rel. S/N 16)

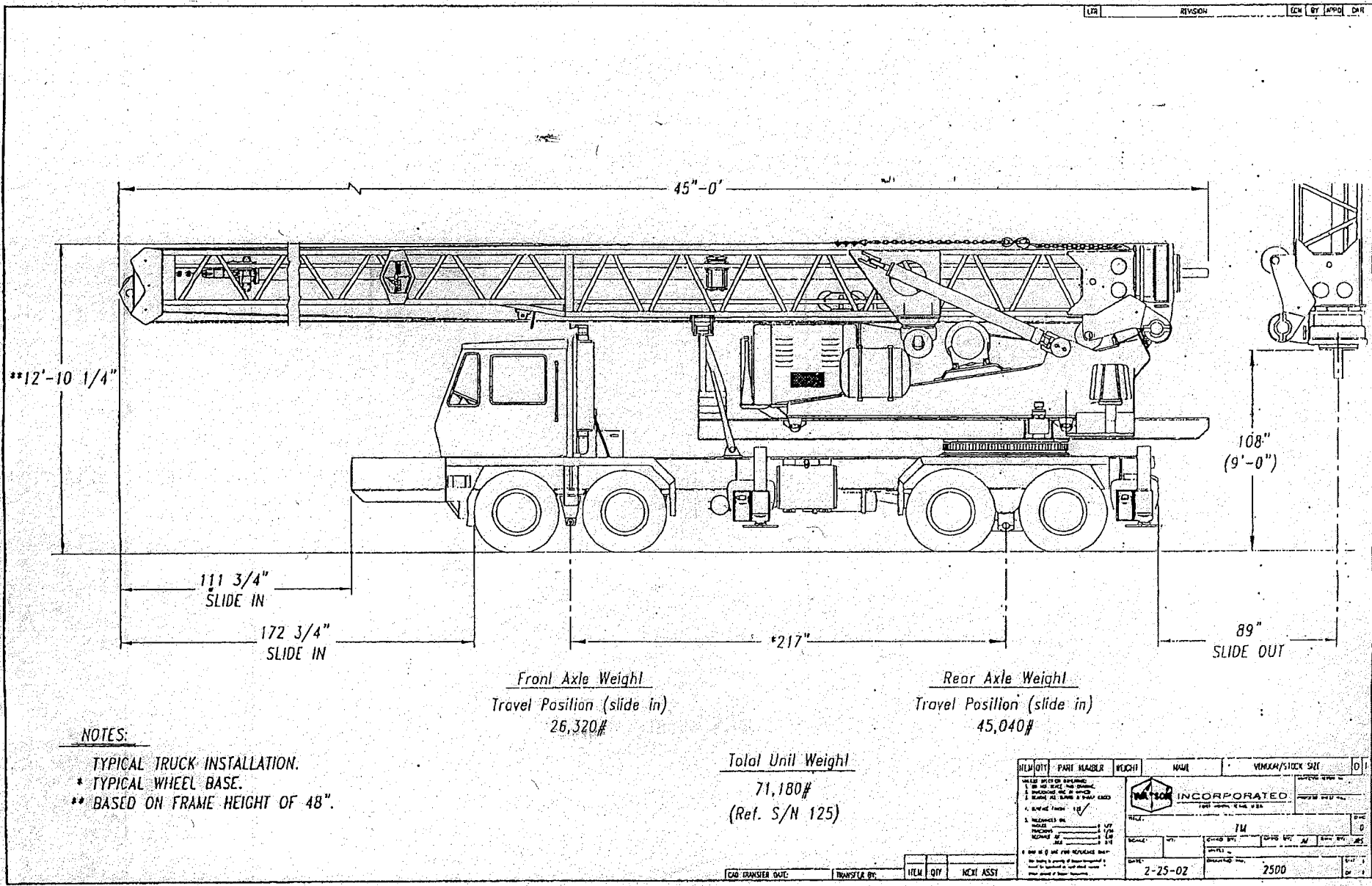
NOTES:

- TYPICAL TRUCK INSTALLATION.
- MINIMUM REQUIRED CLEAR CAB TO AXLE.
- ** BASED ON FRAME HEIGHT OF 41".

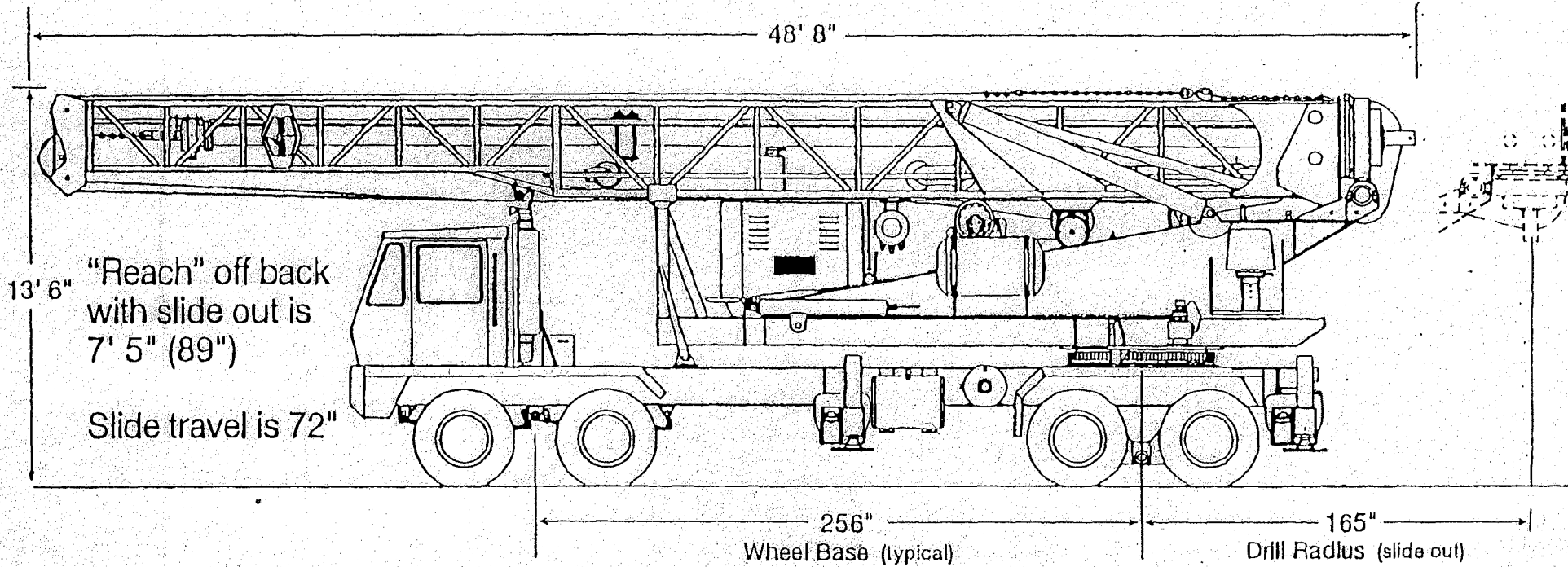
ITEM QTY	PART NUMBER	RECD	MARK	VENDOR/STOCK SIZE	UNIT
<p>UNITED STATES PATENT OFFICE 1. CLAIMING THE INVENTION 2. CLAIMING THE METHOD 3. CLAIMING THE DEVICE 4. CLAIMING THE FRAME ASSEMBLY</p>					
<p>WATSON INCORPORATED 1000 WATSON BLVD. WATSON, MISSOURI 64792</p>					
<p>DATE: 2-25-02 QUANTITY: 2100</p>					



Watson Model 2500 TM Standard 60' Drill Depth



Watson Model 3000 TM



Watson Model 3100 TM Standard 80' Drill Depth

